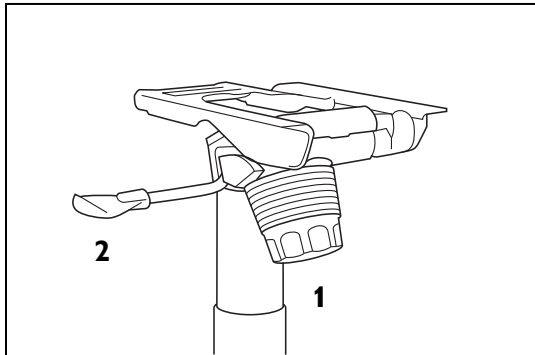


## Chair Adjustment Guide: Conf./Exec. Knee Tilt Control

Series 7



Mechanism Functions:

1. Tension Control Knob
2. Seat Height/Tilt Lock

1. **Tension Control Knob** allows for greater spring tension control for a firmer or softer tilting motion. Turn counter-clockwise to increase tension, clockwise to decrease tension.
2. **Seat Height/Tilt Lock** lever raises or lowers seat to desired height and locks seat into starting position in one convenient mechanism. To raise, simply lift weight off seat and pull upward on lever until seat reaches a comfortable height. To lower, lift upward on lever while seated and release to lock seat into desired position. To lock chair-tilt into starting position, push lever inward. To release tilt lock mechanism and free-float, simply pull lever outward.